

## ProtectorVent Range - PV120 Series

Protecting and ventilating vital electronics inside control and IT data cabinets/panels



### Performance Data

- Air flow up to 120m<sup>3</sup>/hr combined scrubbing and vent/cooling air- configurable.
- Pre filter mat G4 P15/500s or Poly 500
- Gas phase media PuraCarb or Purafil Select - 8.5 kg
- Final filter mat M5 A3/300 or Poly 600
- IP67 rated ( when mounted with gasket to cabinet )
- Fan 1~ 230V AC, 1.3 amp ( max load )
- Total weight: ~21kg loaded.
- Material: 304 stainless steel ( 316 stainless steel by request )

### Construction

Eliminate harmful corrosion in important control cabinets by installing ProtectorVent units.

It is impossible to seal Control or IT data cabinets 100% against corrosion by simply closing the door. Additionally any heat build up inside the cabinets requires venting.

ProtectorVent overcomes these problems by positively pressurising the cabinet and removing the gaseous contamination before it enters the cabinet, plus for larger units offers ambient air cooling to the cabinet.

### Applications

- Outdoor switchyard controls
- MCC cabinets in geothermal areas
- Outdoor cabinets in pulp & paper mills
- Swimming pool controls
- Waste water and water treatment plant control cabinets
- Dairy co milk reception control panels

### Special Features

- IP67 rated
- Corrosion resistant stainless steel construction
- Variable volume control in larger units
- Servicing media is quick and simple
- Range of configurations to suit any need
- Long life thanks to Purafil gas-phase media volume

Auckland + 64 9 262 4474  
Christchurch + 64 3 366 1411  
windsor.sales@windsor.co.nz

windsor.co.nz



## ProtectorVent Range - PV120 Series

Protecting and ventilating vital electronics inside control and IT data cabinets/panels

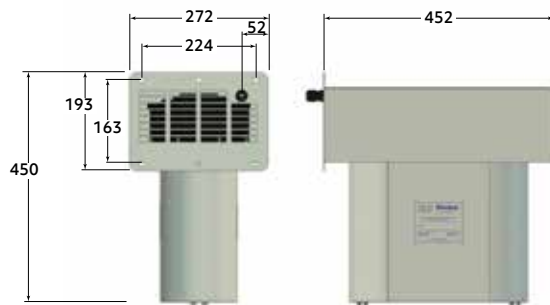


PV120 NMOC Narrow mount

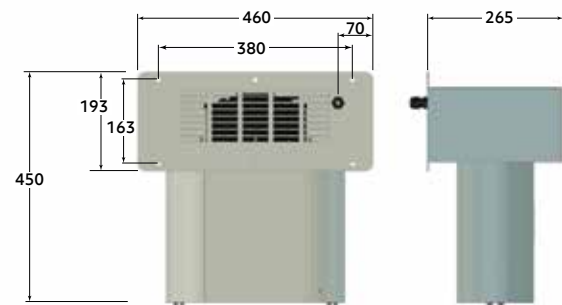


PV120 WMOC Wide mount

### Dimensions



PV120 NMOC Narrow mount



PV120 WMOC Wide mount

For more detailed mounting plate dimensions, please contact us.